



Sovitron Interior Pvt.Ltd.



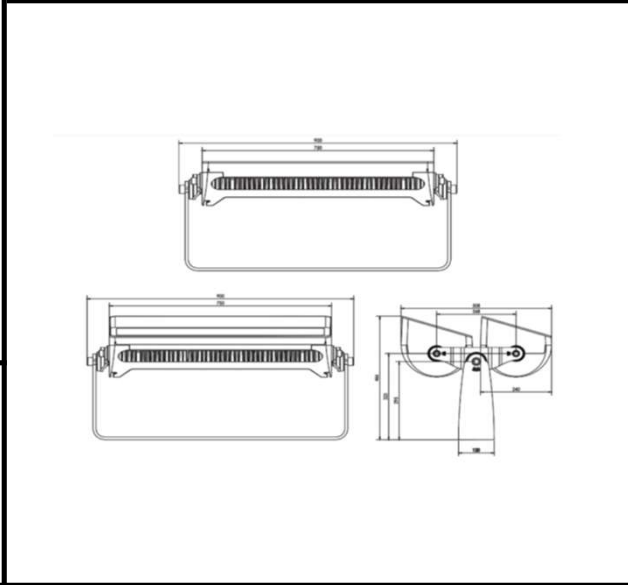
Model Name	SLOOM-1272S/DL-OSL-1272SC-180
Description	Flood light

Technical description	Image
-----------------------	-------

Dimension	L=900mm W=508mm H=466mm
Frame	Aluminium Die-cast
Color Tempertaure	RGBW
Power	420W
Total Luminous Flux	16800 lm
Efficacy	40 lm/W
IP rating	66
Beam angle	2.6,3.5,12,20,30,60,5X20,10 X70 Degree
Color Rendering	≥80
Mounting	Surface
Optics	Lens & Clear Glass
Dimming	NON-Dimmable
Operating Voltage	220-240 VAC
Standard Lifetime	L70 minimum at 50,000 burning hours



Dimension diagram



Remarks:-

Address: Plot #7 Saroorpur-Nangla Industrial Area,Ballabgarh-Sohna Road,Faridabad-121005
Email: info@sovitron.com